

# PIPE/PENETRATION FLASHING - CYLINDRICAL

Trade Names: Roof Flashing, Pipe Boot, Roof Jack, Roof Safe, Plumbers Flashing, Plumbers Boot, Pipe Vent Flashing

## Flashing Material & Standard Thicknesses:

- |  |  |  |
|--|--|--|
| <input type="checkbox"/> TPO 60mil Reinforced (1.52mm)   | <input type="checkbox"/> PVC 60mil Reinforced (1.52mm)   | <input type="checkbox"/> Lead 4# (.063")       |
| <input type="checkbox"/> TPO 60mil Unreinforced (1.52mm) | <input type="checkbox"/> PVC 60mil Unreinforced (1.52mm) | <input type="checkbox"/> Zinc 26ga. (.019")    |
| <input type="checkbox"/> Galvanized Steel 26ga. (.019")  | <input type="checkbox"/> Galvanized Steel 24ga. (.025")  | <input type="checkbox"/> Copper 16 oz. (.022") |

Other: \_\_\_\_\_

## Drawing for Non-Standard

(See Product Catalog for Standard Flashings)

### Specify Dimensions (inches)

A: Diameter \_\_\_\_\_

B: Riser Height \_\_\_\_\_

C: Flange \_\_\_\_\_

D: Base Size \_\_\_\_\_

E: Base Shape: Round  Square

Standard Riser Height 8"  12"  Other \_\_\_\_\_

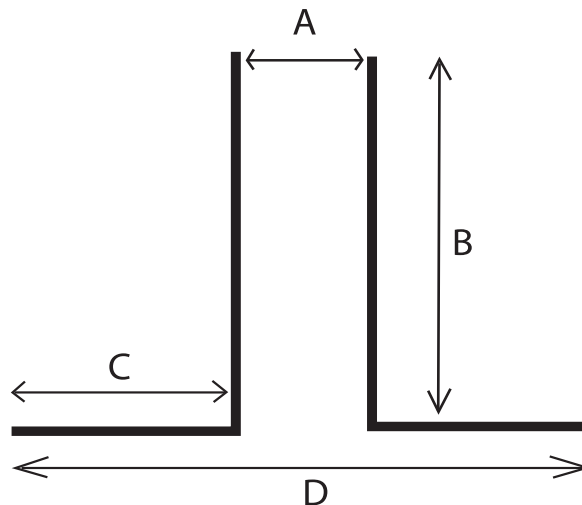
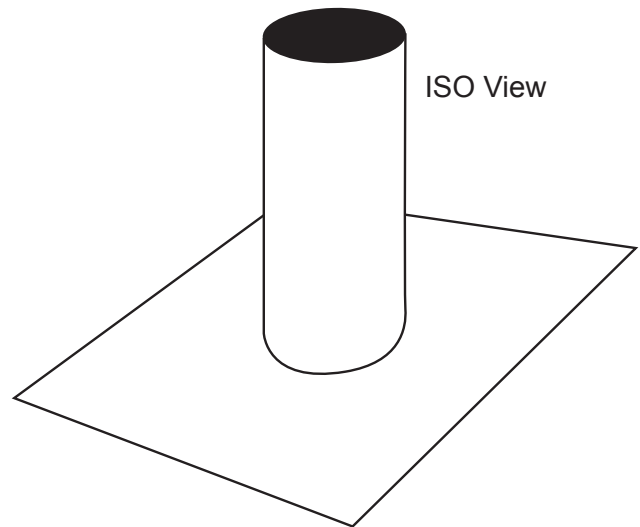
Standard Flange 4"  6"  Other \_\_\_\_\_

Quantity: \_\_\_\_\_

Low Slope:  90° Angle

Steep Slope:  Angle or Pitch: \_\_\_\_\_

Use one sheet per size.



For Sales and Service:

Phone: 866-323-5274 • Fax: 707-824-5858 • E-mail: sales@FlashCoMfg.com

**Drawing: CL001 Cylindrical  
Pipe/Penetration Flashing**

**FlashCo**   
Manufacturing, Inc.

©2011 FlashCo Manufacturing, Inc.